

Y13 Applied Technology Worksheet # 7

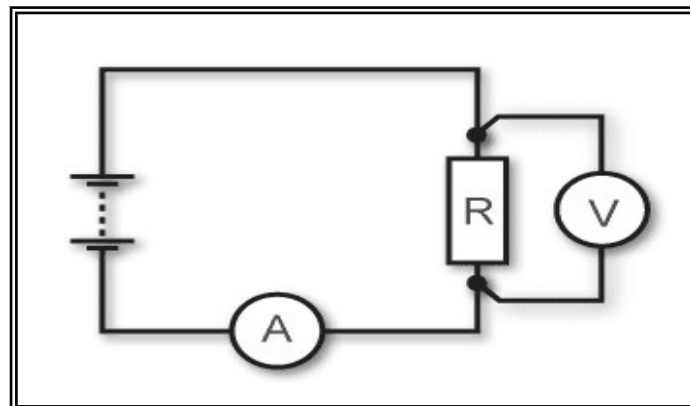
Note: Students to attempt this at the back of their exercise book.

QUESTION 7

BASIC HOME IMPROVEMENT

(10 marks)

- (a) Explain the importance of having **pigment** as a component of paint. (2 marks)
- (b) Define the term **Blistering** in paint. (1 mark)
- (c) Explain how you would estimate the quantity of tiles required for a given space. (2 marks)
- (d) Convert 40nV into Volts. (2 marks)
- (e) Use the circuit diagram shown below to answer the given question.



Source: Year 13 Applied Technology, Ministry of Education, 2017.

Calculate the power dissipated by resistor (R) if the circuit has a current flow (A) of 2A with an applied voltage (V) of 24V. (3 marks)

